



baja designs[®]
The Scientists of Lighting

2019 Ford Ranger Squadron Grill kit Instructions (44-7609, 44-7610)



2950 Norman Strasse Rd • San Marcos • CA • 92069

Phone 760-560-2252 • Fax 760-560-0383

info@bajadesigns.com • www.bajadesigns.com



baja designs[®]
The Scientists of Lighting

LIMITED LIFETIME WARRANTY

Baja Designs proudly offers a LIFETIME WARRANTY against manufacturer's defect on all the products that we manufacture.

These are comprehensive warranties; other than the exclusions below – you're covered. If your LED or HID bulb burns out, you're covered. Additionally, cutting off our connector or changing your lenses does not automatically void your warranty.

Exclusions:

Installation errors, abuse, misuse or crash damage. You must be the original owner of the product and can supply proof of purchase.

Baja Designs manufactures its own products as well as resells products manufactured by others. Baja Designs makes no express or implied warranties on products not manufactured by Baja Designs including without limitation any warranties or merchantability and fitness for a purpose. We will, however, pass on all warranties made by the manufacturer, who has sole responsibility for performing such warranties.

Baja Designs will pay the freight if your product is less than 90 days old, otherwise defective products must be returned to Baja Designs, Inc., freight prepaid. At our option, we will repair or replace items in question and return them at no charge. If the identical product is no longer available, we will replace with a similar product of equal value. Baja Designs Inc. will not be responsible for any indirect or consequential damages in connection with defective merchandise.

Items purchased through a Baja Designs authorized dealer must be returned through the dealer. Only available on LED auxiliary lights and product must be in sellable condition at MSRP. Product that has been damaged in any way after the original purchase date will be excluded from this guarantee.

Indemnification:

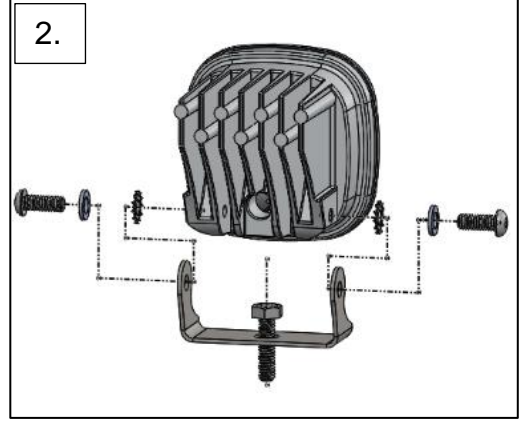
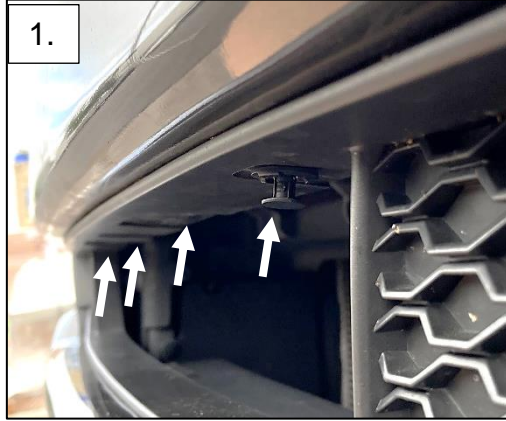
Buyer hereby acknowledges off-roading, racing and driving at night are dangerous activities and that the products and/or supplies purchased from Baja Designs are used in an inherently dangerous activity that may endanger life and limb; and in no event shall the seller, or seller's heirs and assigns, be held liable for consequential damages, nor shall seller's liability on any claim for damages arising out of or connected with the sale, delivery, or use of purchased products and/or supplies exceed the purchase price of the products and/or supplies.

Buyer is responsible for ensuring that it uses the products (and its vehicle) in accordance with all applicable laws, regulations, guidelines, and standards of care. Buyer acknowledges that some products may only be used when off-roading, and Buyer will comply with all vehicle and road safety guidelines. Buyer is solely responsible for (and will indemnify and hold Bestop harmless for) any claims, losses, damages, fines, fees, costs, or other amounts arising out of Buyer's non-compliance with these provisions.

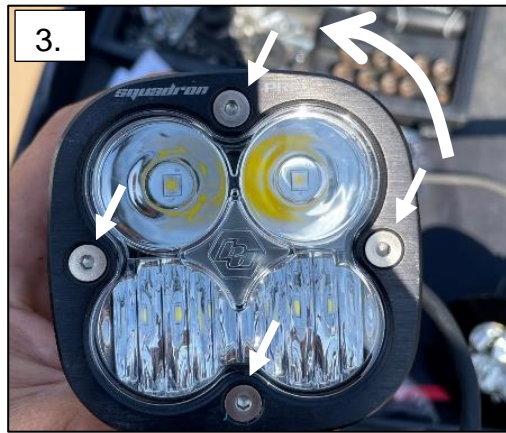
Tools Required

- 7/16" wrench
- 7/16" socket wrench
- 2.5 mm Allen wrench
- 4 mm Allen wrench
- Standard screwdriver (flathead)

1. Remove the 4x plastic clips mounting the lower grill opening.
2. Using a 4mm Allen, assemble the bracket onto the light as shown.



3. Using a 2.5 mm Allen wrench, remove the bezels and lenses, rotate 180 degrees, and re-assemble.
4. Place washer on the bracket over the bolt as shown below. Place light assembly into the mounting hole, add washer, add nyloc nut on the back side and tighten.



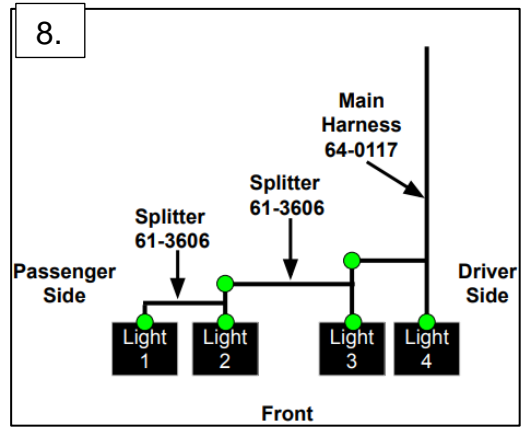
5. Using a 10mm socket, remove the nut on the auxiliary post on both the power and ground battery terminal. Place the harness ring terminals on the battery and re-tighten the nuts.
6. Rout the harness down behind the driver side headlight.



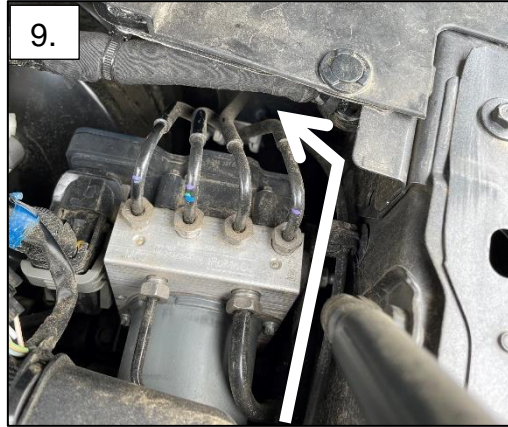
7. Continue to route the harness down to the lower grill opening and apply the splitter harnesses as shown in step 8.



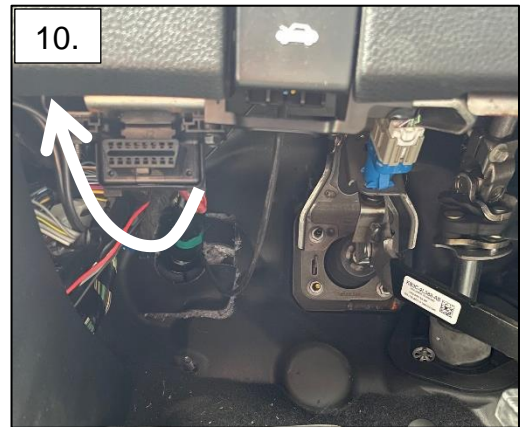
8. Apply the 2x splitter harnesses as shown to bring power to all 4x lights. Each connector is represented as the circles.



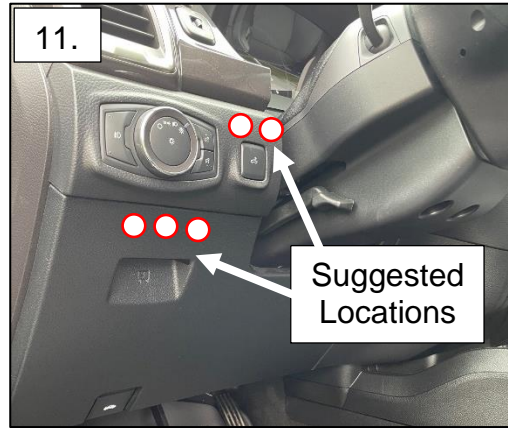
9. Located behind the brake line manifold is the firewall grommet pass through. Route the switch through the grommet.



10. On the back side of the grommet, pull the switch through and route behind the dash.



11. Use the suggested locations to mount the switch.



12.

Tie all wires away from sharp, hot, and/or rotating components.

Re-torque all the fasteners after 100 miles.

Your install is now complete! Thank you for choosing Baja Designs.